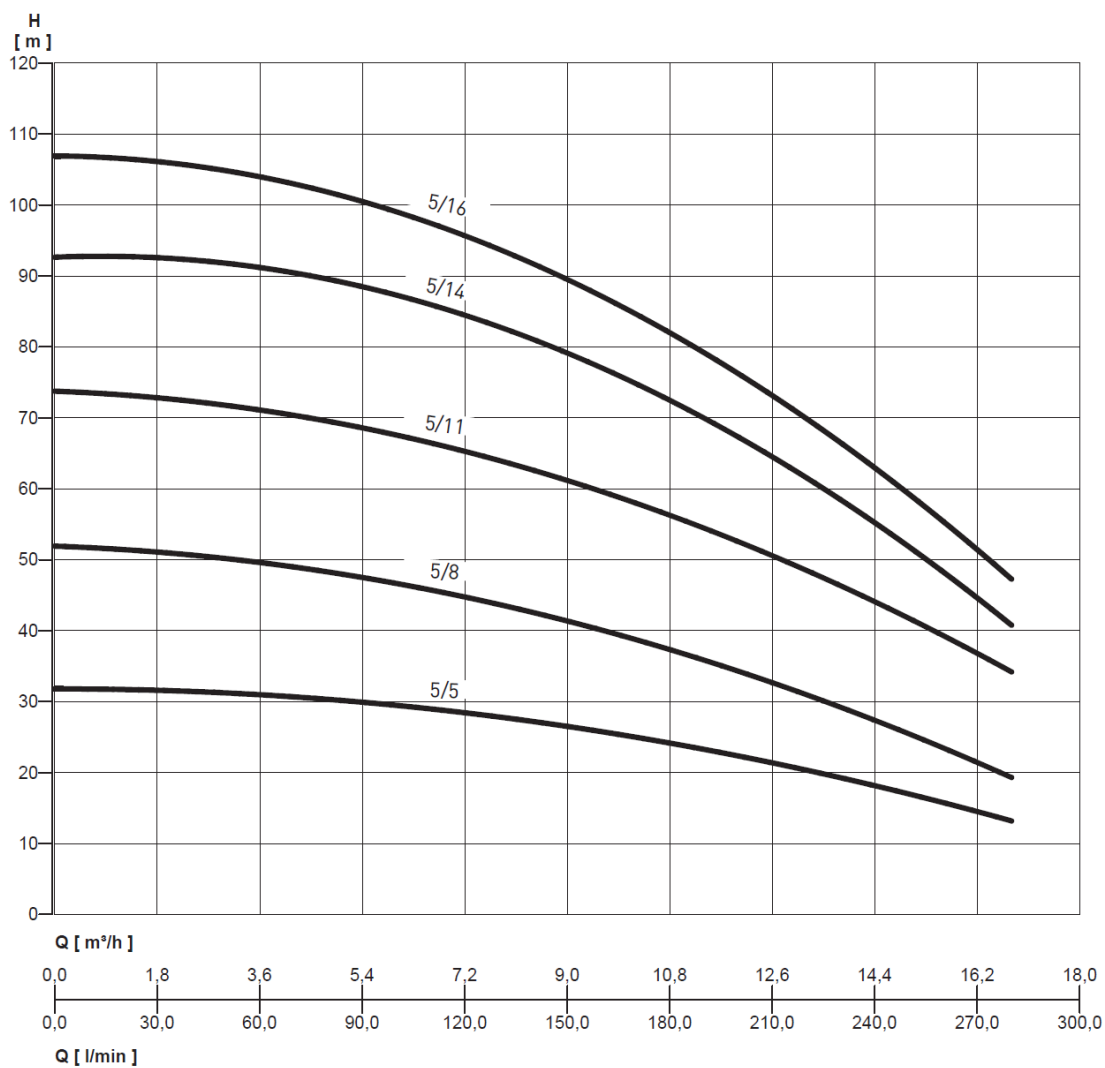


# NOCCHI EASYBOOST 20 PVM

## PRESSURE BOOSTER SET WITH PRESSURE SWITCH CONTROL

### HYDRAULIC PERFORMANCE



# NOCCHI EASYBOOST 20 PVM

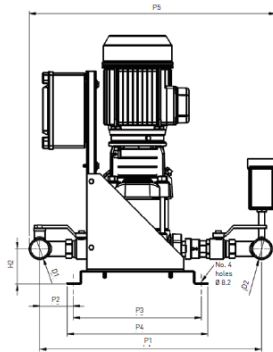
## PRESSURE BOOSTER SET WITH PRESSURE SWITCH CONTROL

### PERFORMANCE TABLE

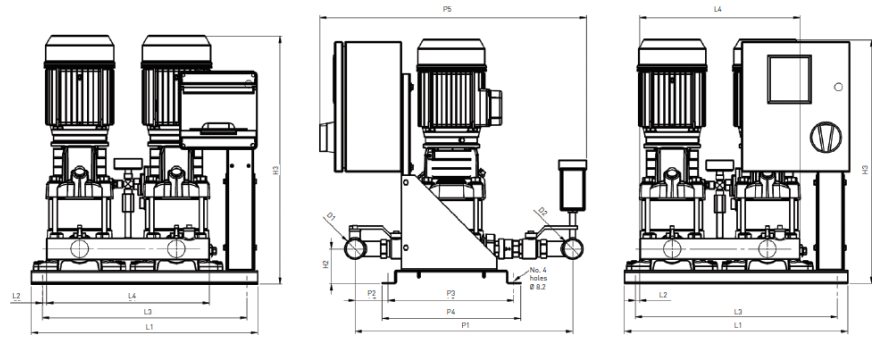
| MODEL           | P2     | VOLT. (V)          | l/min<br>m <sup>3</sup> /h | 0   | 80  | 120 | 160 | 200 | 240  | 280  |
|-----------------|--------|--------------------|----------------------------|-----|-----|-----|-----|-----|------|------|
|                 | kW     |                    |                            | 0   | 4.8 | 7.2 | 9.6 | 12  | 14.4 | 16.8 |
| EASY20 PVM 5-5  | 2x0.75 | 1 ~ 230<br>3 ~ 400 | m.c.a./m.c.w.              | 32  | 30  | 28  | 26  | 23  | 18   | 13   |
| EASY20 PVM 5-8  | 2x1.1  | 1 ~ 230<br>3 ~ 400 |                            | 52  | 48  | 45  | 40  | 34  | 28   | 19   |
| EASY20 PVM 5-11 | 2x2.2  | 3 ~ 400            |                            | 74  | 69  | 65  | 60  | 53  | 44   | 34   |
| EASY20 PVM 5-14 | 2x2.2  | 3 ~ 400            |                            | 93  | 89  | 84  | 77  | 68  | 56   | 40   |
| EASY20 PVM 5-16 | 2x2.2  | 3 ~ 400            |                            | 107 | 102 | 95  | 87  | 77  | 63   | 47   |

For VOLT. values, see the data of the reference pump

### SINGLE PHASE



### THREE-PHASE



### OVERALL DIMENSIONS AND WEIGHTS

| MODEL             | Dimensions mm. |    |     |     |     |     |     |     |     |    |     |    |    | Weight (Kg) |
|-------------------|----------------|----|-----|-----|-----|-----|-----|-----|-----|----|-----|----|----|-------------|
|                   | L1             | L2 | L3  | L4  | P1  | P2  | P3  | P4  | P5  | H2 | H3  | D1 | D2 |             |
| EASY20 PVM 5-5 M  | 515            | 95 | 485 | 370 | 622 | 115 | 290 | 320 | 628 | 80 | 510 | 2" | 2" | 60          |
| EASY20 PVM 5-5 T  | 515            | 95 | 485 | 370 | 622 | 115 | 290 | 320 | 697 | 80 | 560 | 2" | 2" | 70          |
| EASY20 PVM 5-8 M  | 515            | 95 | 485 | 370 | 622 | 115 | 290 | 320 | 628 | 80 | 620 | 2" | 2" | 72          |
| EASY20 PVM 5-8 T  | 515            | 95 | 485 | 370 | 622 | 115 | 290 | 320 | 697 | 80 | 620 | 2" | 2" | 80          |
| EASY20 PVM 5-11 T | 515            | 95 | 485 | 370 | 622 | 115 | 290 | 320 | 697 | 80 | 720 | 2" | 2" | 88          |
| EASY20 PVM 5-14 T | 515            | 95 | 485 | 370 | 622 | 115 | 290 | 320 | 697 | 80 | 765 | 2" | 2" | 100         |
| EASY20 PVM 5-16 T | 515            | 95 | 485 | 370 | 622 | 115 | 290 | 320 | 697 | 80 | 825 | 2" | 2" | 104         |